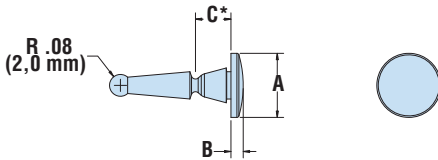




- Part Description Key: RGBA X-Y-Z where X = Mounting Hole Diameter (inches), Y = Base Diameter (inches), and Z= Durometer.



G2312-G2314

Heyco® Break-Away Bumpers

PANEL DIMENSIONS				PART NO.	DESC.	MATERIAL	PART DIMENSIONS					
Mounting Hole Dia.		Thickness					A Base Diameter		B Base Height		C Insert Height*	
in.	mm.	in.	mm.	Black			in.	mm.	in.	mm.	in.	mm.
RGBA Series												
.187-.197	4,7-5,0	.02	0,5	G2312	RGBA 19-39-50	Silicone Rubber 50	.39	10,0	.08	2,0	.17	4,3
.197-.212	5,0-5,4	.02-.03	0,6-0,8	G2313	RGBA 20-47-40	Silicone Rubber 40	.47	12,0	.09	2,3	.26	6,5
				G2314	RGBA 20-47-50	Silicone Rubber 50						

Standard color black. * Approximate: after Lead Stem is broken off.

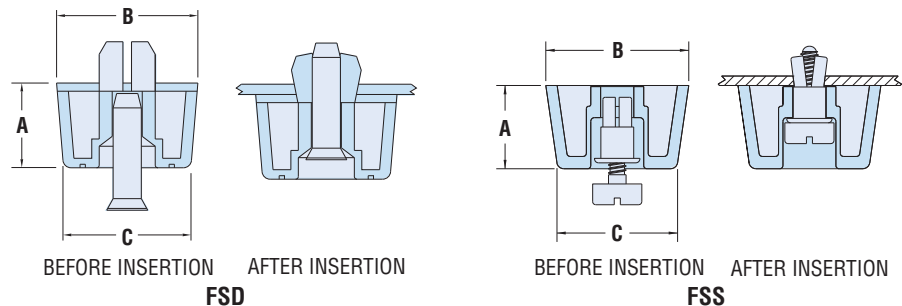


Heyco® Feet of Strength Feet with Drive Pin

- Molded of thermoplastic elastomer or polypropylene and elastomer blend for **skid and vibration resistance**.
- Two piece construction comes preassembled.
- To install, simply insert into the mounting hole, then press pin to secure.
- Part Description Key: FSD/FSS XX-YY-ZZ where XX = Overall Height (inches), YY = Mounting Hole Diameter (inches) and ZZ = Maximum Panel Thickness (inches)

PART DIMENSIONS						PANEL DIMENSIONS						PART NO. Black	DESCRIPTION
A Overall Height		B Top Diameter		C Bottom Diameter		Mounting Hole Diameter	Thickness Range						
in.	mm.	in.	mm.	in.	mm.		in.	mm.	in.	mm.	in.	mm.	Black
FSD / FSS * Series													
.20	5,0	.98	25,0	.91	23,0	.299	7,6	.03	0,8	.06	1,5	2543	FSD 20-30-06
		.79	20,0	.71	18,0	.303	7,7	.03	0,8	.06	1,5	2537	FSD 20-32-06
.24	6,0	.83	21,0	.79	20,0	.303	7,7	.20	5,0	.32	8,0	2544	FSD 24-31-32
						.200	5,0	.04	1,0	.09	2,3	2536*	FSS 39-20-09
.39	10,0	.79	20,0	.71	18,0	.310	7,8	.03	0,8	.06	1,5	2545	FSD 39-30-06
						.320	8,1	.03	0,8	.06	1,5	2548	FSD 39-32-06
.47	12,0	.79	20,0	.71	18,0	.320	8,1	.02	0,5	.05	1,2	2547	FSD 47-32-05
.55	14,0	.95	24,0	.79	20,0	.200	5,0	.04	1,0	.09	2,3	2538 *	FSS 55-20-09
.59	15,0	.79	20,0	.71	18,0	.320	8,1	.03	0,8	.07	1,8	2549	FSD 59-32-07
		1.18	30,0	1.10	28,0	.200	5,0	.02	0,5	.06	1,5	2539 *	FSS 59-20-06
.71	18,0	.79	20,0	.71	18,0	.320	8,1	.02	0,5	.05	1,2	2551	FSD 71-32-05

Standard color black. * Slotted Screw replaces Drive Pin.



Quick Specs

Material	RGBA	Silicone Rubber
Temperature Range		-40°F (-40°C) to 302°F (150°C)
Material	FSD	Thermoplastic elastomer or Polypropylene & elastomer